

twilight

INSTRUMENTOS DE MEDICIÓN INDUSTRIAL

Base Motorizada Manivela IM-SH220S

www.twilight.mx



/ twilightSadecv



/ twilightSadecv



/ twilightSadecv

LIMITED WARRANTY

TWO-YEAR LIMITED WARRANTY AND LIMITATION OF LIABILITY: Imada, Inc., for itself and its related companies (hereinafter described collectively as "Imada") warrants that all Imada products sold, except for those specific products identified below, will be free of defects in materials and workmanship for a period of two (2) years from date of delivery to end-user. The foregoing two (2) year warranty shall not be extended or changed by Imada furnishing any replacements, additions, attachments, accessories or repairs to the products subsequent to the date of delivery or acceptance. The foregoing warranty is the sole and exclusive warranty of Imada regarding the products.

ONE-YEAR LIMITED WARRANTY FOR SPECIFIC PRODUCTS: The foregoing limited warranty shall be likewise apply to Cedar Torque Testers, KTC Torque Wrenches, all batteries, cables, attachments, and adapters, regardless of manufacturer, sold by Imada, but the limited-warranty period is one (1) year from date of delivery to end-user.

DISCLAIMER OF OTHER WARRANTIES: Other than the foregoing warranties, there are no express or implied warranties or any affirmations of fact or promises by Imada with respect to the products. Imada disclaims any warranties, express, implied or statutory, not specifically set forth above, including any implied warranties of merchantability and fitness for any particular purpose..

LIMITATION OF LIABILITY AND REMEDIES: Imada's sole responsibility and liability incurred as a result of the sale and/or use of the products, and the purchaser's exclusive remedy against Imada under any warranty shall be limited to the repair or replacement, at Imada's option, of product components not conforming to the warranty.

PURCHASER'S DAMAGES AND LIMITATIONS: In no event shall Imada be liable to purchaser, its assigns or agents, for economic loss, incidental or consequential damages, in contract or in tort, including but not limited to, any damages for lost profits, down-time, lost production, failure to meet purchaser's sales contracts, or defects in purchaser's material or workmanship. Imada's limited warranty is terminated in the event of product overload, shock load, misuse, negligence, accident, or if repairs are attempted by the customer or third-parties without notice to and authorization by Imada.

INSTRUCTIONS FOR OBTAINING WARRANTY REPAIR OR REPLACEMENT: Please contact our customer service department for a return authorization number. After you have obtained the authorization number, please return the subject product to Imada with all freight, duty and brokerage costs prepaid.

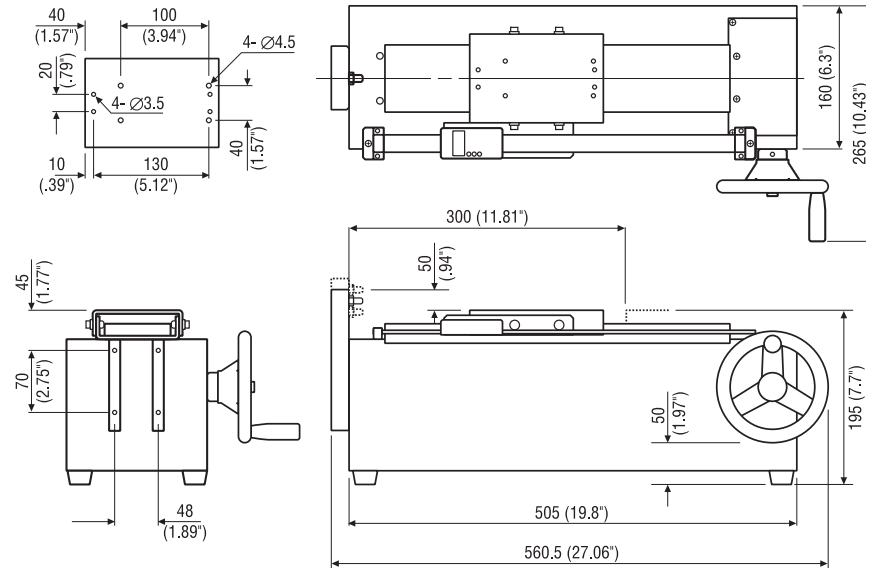


Imada, Inc.®
3100 Dundee Rd., Suite 707, Northbrook, IL 60062 USA
Telephone: (847) 562-0834 Fax: (847) 562-0839
www.imada.com E-mail: imada@imada.com
ISO 9001 & ISO/IEC 17025 Accredited
04/14 *Specifications subject to change without notice.*

INNOVATIONS IN FORCE MEASUREMENT

HORIZONTAL HAND WHEEL TEST STAND

Models: SH-220 & SH-220S



FORCE GAUGE AND DISTANCE METER SOLD SEPARATELY

INSTRUCTION MANUAL

Horizontal Wheel-Operated Test Stand

SH-220 and SH-220S with distance meter

The hand wheel provides relatively consistent speed and the gauge remains in place when hand wheel is released. It is ideal for peel testing.

SH-220 Specifications

Max Load:	220 lbf
Stroke:	11.8" (300mm)
Travel:	1.2mm per wheel rotation

Distance Meter (Only SH-220S)

Display:	Push button for inch/mm, zero set and on/off
Resolution:	0.0005"/0.01mm
Accuracy:	±0.001"/±0.03mm
Stroke:	2"

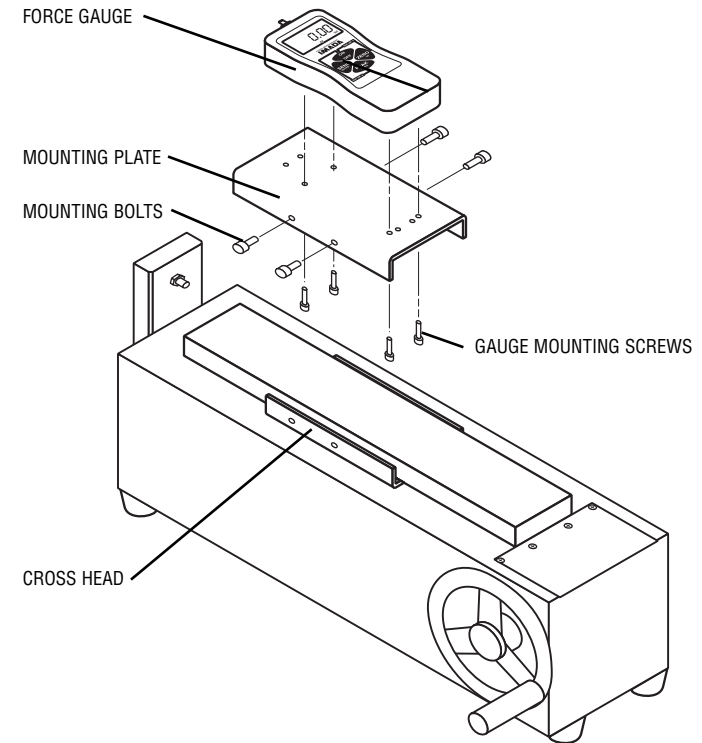
GENERAL OPERATION

Mounting the Force Gauge

1. Remove the mounting plate from the test stand by unscrewing the 4 mounting bolts.
2. Secure the gauge to the mounting plate using the screws supplied with the stand.
3. Use the mounting bolts to secure the mounting plate to the test stand.

Optional Extender Plate

Clearance may be increased to 14" by installing the optional extender mounting plate.



— WARNING —

1. Do Not Exceed 220 lbf Capacity
2. Test samples can break or shatter, wear eye and body protection to avoid injury.



INSTRUMENTOS DE MEDICIÓN INDUSTRIAL



LLÁMANOS

**+52(81) 8115-1400 / +52 (81)
8173-4300**

**LADA Sin Costo:
01 800 087 43 75**

**E-mail:
ventas@twilight.mx**

www.twilight.mx



/ [twilightsadecv](#)



/ [twilightsadecv](#)



/ [twilightsadecv](#)